

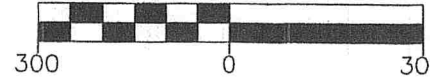
CERTIFIED SURVEY MAP

A PART OF SW1/4 OF THE SW1/4 AND THE SE1/4 OF THE SW1/4 OF SECTION 31,
T. 16 N., R. 20 E., TOWN OF GREENBUSH, SHEBOYGAN COUNTY, WISCONSIN.

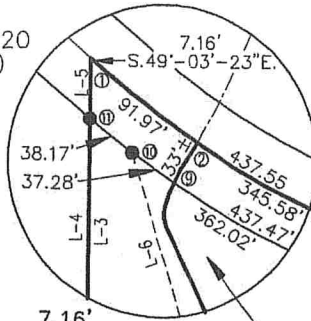
CURVE TABLE					
CURVE NO.	RADIUS	ARC LENGTH	CENTRAL ANGLE	CHORD BEARING	CHORD LENGTH
1-2	693.80'	91.97'	07°-35'-41"	S.52°-51'-14"E.	91.90'
2-3	693.80'	345.58'	28°-32'-19"	S.70°-55'-14"E.	342.02'
1-3	693.80'	437.55'	36°-08'-00"	S.67°-07'-24"E.	430.33'
4-5	1402.20'	377.70'	15°-26'-00"	S.77°-28'-24"E.	376.56'
6-7	1389.20'	368.81'	15°-26'-00"	N.77°-28'-24"W.	367.70'
8-9	726.80'	362.02'	28°-32'-19"	N.70°-55'-14"W.	358.28'
9-10	726.80'	37.28'	02°-56'-20"	N.55°-10'-55"W.	37.28'
10-11	726.80'	38.17'	03°-00'-33"	N.52°-12'-29"W.	38.17'
8-11	726.80'	437.47'	34°-29'-11"	N.67°-07'-24"W.	430.89'

BEARINGS REFERENCED TO
SHEBOYGAN COUNTY COORDINATE SYSTEM
WEST LINE OF SW1/4 SECTION 31
ASSIGNED N.00°-19'-21"E.

SCALE: 1" = 300'



W1/4 COR.
SEC. 31-16-20
(2" IRON PIPE FOUND)



DETAIL

NOTE:

NO SOIL TESTS HAVE BEEN CONDUCTED ON LOT 1, PURSUANT TO SECTION 71.16(1)(b)(2) OF THE SHEBOYGAN COUNTY SUBDIVISION ORDINANCE, THIS LOT CREATION IS FOR CONVEYANCE PURPOSES ONLY. NO ON-SITE SEWAGE DISPOSAL SYSTEM SHALL BE INSTALLED ON SAID LOT WITHOUT THE EXPRESS CONSENT OF THE SHEBOYGAN COUNTY PLANNING & CONSERVATION DEPARTMENT.

LINE TABLE		
LINE NO.	LINE LENGTH	LINE BEARING
L-1	33.00'	S.89°-40'-39"E.
L-2	227.00'	S.89°-40'-39"E.
L-3	228.81'	N.00°-19'-21"E.
L-4	185.40'	N.00°-19'-21"E.
L-5	43.41'	N.00°-19'-21"E.
L-6	150.11'	S.16°-50'-51"E.
L-7	232.22'	S.44°-24'-02"E.
L-8	857.81'	S.00°-20'-39"E.
L-9	100.24'	S.13°-55'-33"E.

LEGEND

- = 3/4" x 18" Iron Rebar Set Weighing 1.15 lbs/ft.
- ⊙ = 3/4" Iron Rebar Found
- = 1" Iron Pipe Found
- () = Recorded As Data
- ⊕ = Sheboygan County Monument

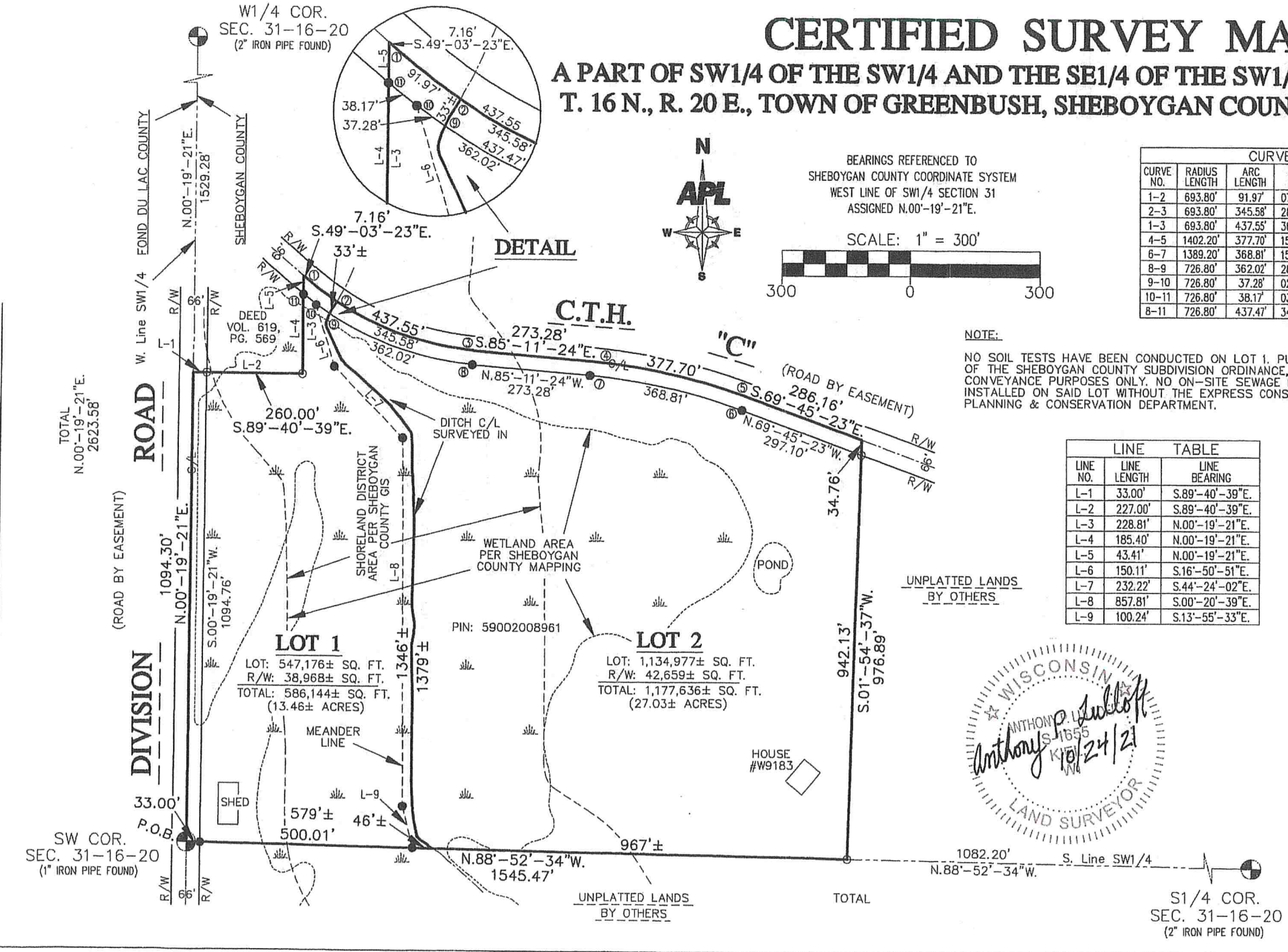


Anthony Lulloff PLS, SP
AP Lulloff Land Survey, LLC
17625 Matznick Road
Kiel, WI 53042
aplulloff@gmail.com
920.894.2151

Prepared For:
Todd & Melanie Bastion
W9183 County Road C
Glenbeulah, WI 53023

1	10-14-21	PRELIM.
2	10-0-21	FINAL

DRAWING FILE: BASTIAN
PROJECT NUMBER: 2210911
DRAWN BY: KCM CHECKED BY: APL
NOTEBOOK: SHE-5 PAGE: 54
SHEET 1 OF 2 MAP NO. L-13988



STATE OF WISCONSIN) SS
SHEBOYGAN COUNTY)

CERTIFIED SURVEY MAP

Sheet 2 of 2

SURVEYOR'S CERTIFICATE:

I, Anthony P. Lulloff, a Wisconsin Professional Land Surveyor of AP Lulloff Land Survey LLC, certify that I have surveyed, divided and mapped under the direction of Todd Bastian, parts of the Southwest Quarter (SW1/4) of the Southwest Quarter (SW1/4) and the Southeast Quarter (SE1/4) of the Southwest Quarter (SW1/4) of Section 31, Township 16 North, Range 20 East, Town of Greenbush, Sheboygan County, Wisconsin containing 1,763,780 square feet (40.49 acres) of land and being described by:

Beginning at the Southwest Corner of said Section 31; thence N00°-19'-21"E along the West line of the SW1/4 of said Section 31, a distance of 1094.30 feet; thence S89°-40'-39"E 260.00 feet; thence N00°-19'-21"E 228.81 feet to the Centerline of C.T.H. "C"; thence S49°-03'-23"E along said Centerline 7.16 feet; thence Southeasterly 437.55 feet along said Centerline and the arc of a curve to the left, having a radius of 693.80 feet, and a chord of which bears S67°-07'-24"E 430.33 feet; thence S85°-11'-24"E along said Centerline 273.28 feet; thence Southeasterly 377.70 feet along said Centerline and the arc of a curve to the right, having a radius of 1402.20 feet, and a chord of which bears S77°-28'-24"E 376.56 feet; thence S69°-45'-23"E along said Centerline 286.16 feet; thence S01°-54'-37"W 976.89 feet to the South line of the SW1/4 of said Section 31; thence N88°-52'-34"W along said South line 1545.47 feet to the point of beginning; being subject to any and all easements and restrictions of record.

That such is a correct representation of all exterior boundaries of the land surveyed.

That I have fully complied with the provisions of Chapter 236.34 of the Wisconsin Statutes and the Land Subdivision Ordinance of Sheboygan County and the Town of Greenbush in surveying, dividing and mapping the same.

Dated this 24th day of October, 2021.
Anthony P. Lulloff
Wisconsin Professional Land Surveyor S-1655
Anthony P. Lulloff



OWNER'S CERTIFICATE:

As owner, I hereby certify that I caused the land described on this Certified Survey Map to be surveyed, divided and mapped as represented on this map.

Dated this ___ day of _____, 2021.

In the presence of:

Todd E. Bastian

Melanie M. Bastian

TOWN BOARD CERTIFICATE:

This Certified Survey Map has been reviewed and approved by the Town Board of the Town of Greenbush.

Dated this: ___ day of _____, 2021.

Town Chairman

Town Clerk

COUNTY PLANNING AND CONSERVATION CERTIFICATE:

This Certified Survey Map has been reviewed and approved by the Sheboygan County Planning and Conservation Department.

Date:

Title:

L-13988